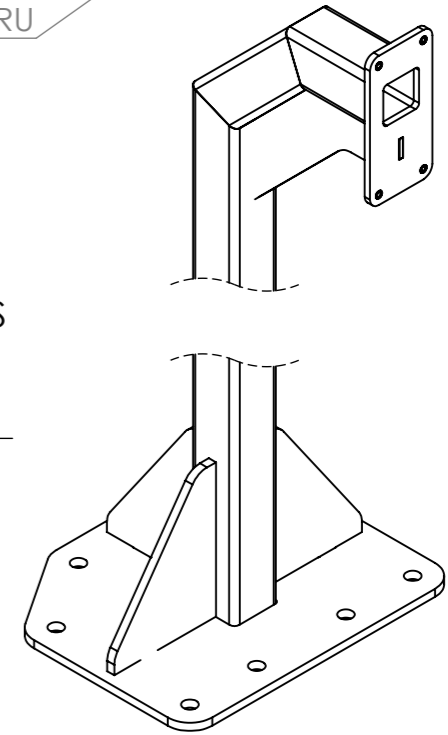
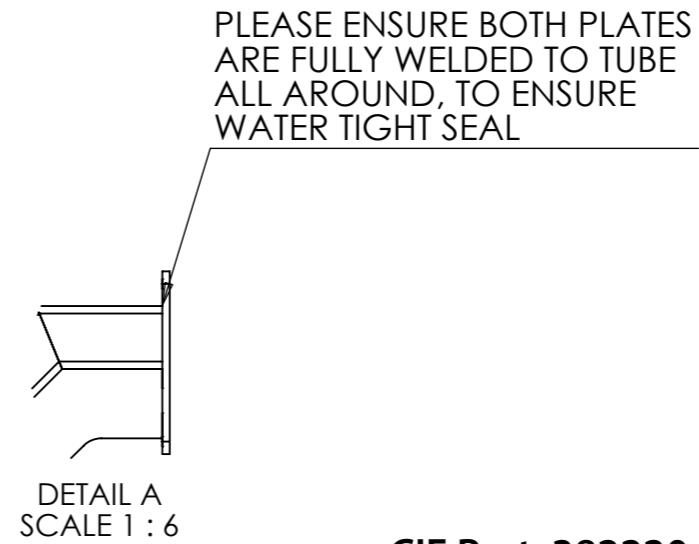
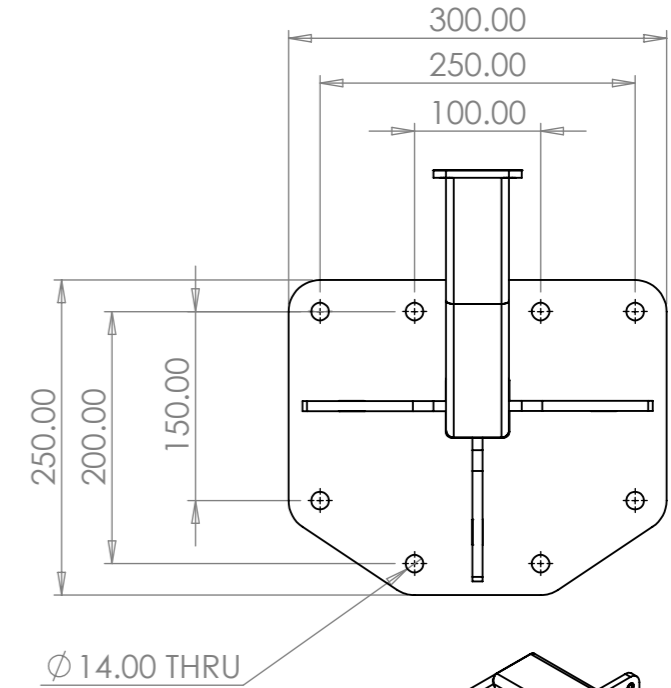
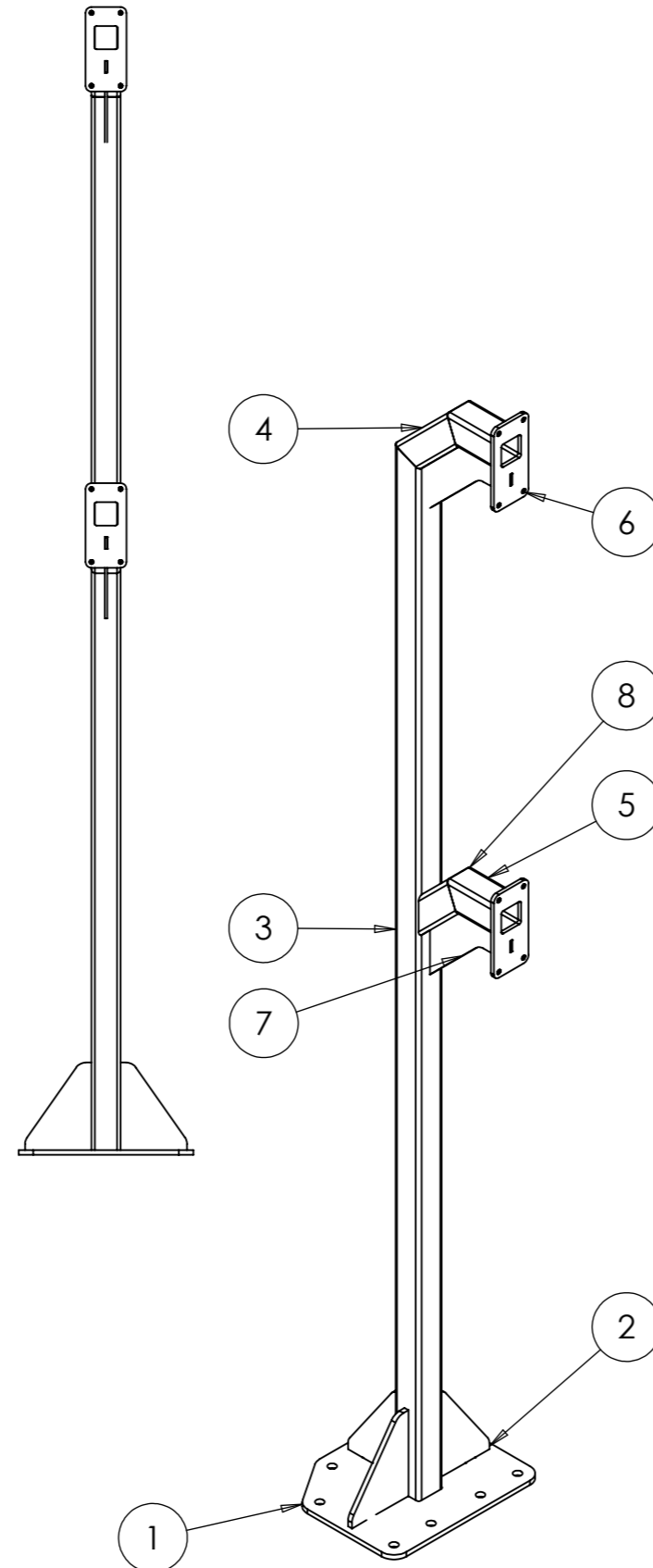
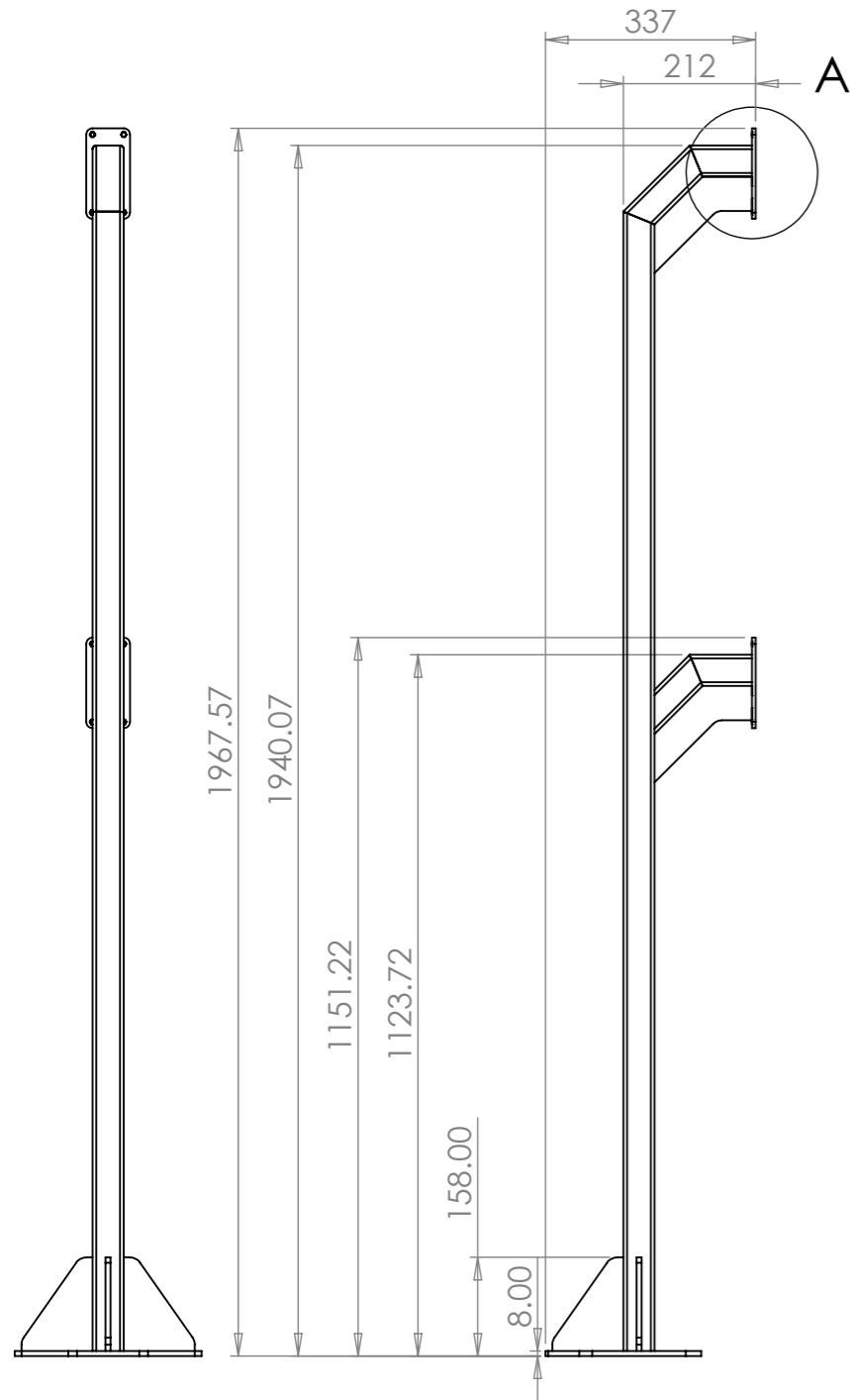


Double height Gooseneck stand for door intercoms



- Notes**
1. All Burrs & Sharp edges must be removed
 2. All Dimensions Are Prior To Adding a Finish

CIE Part: 382220

| ITEM NO. | PART NUMBER | DESCRIPTION | QTY. |
|----------|-------------|-------------------------------------|------|
| 1 | AM3162 | Intercom Stand Base | 1 |
| 2 | AM3163 | Intercom Stand Supports | 3 |
| 3 | T1000 | 50mm x 50mm SQ Tube(1834mm) | 1 |
| 4 | T1001 | 50mm x 50mm SQ Tube(150mm) | 1 |
| 5 | T1002 | 50mm x 50mm SQ Tube(100mm) | 2 |
| 6 | AM3164 | Intercom Stand Mount Plate | 2 |
| 7 | AM3165 | Intercom Stand Angled Support Plate | 2 |
| 8 | T1003 | T1003 - 50mm x 50mm SQ Tube(109mm) | 1 |